
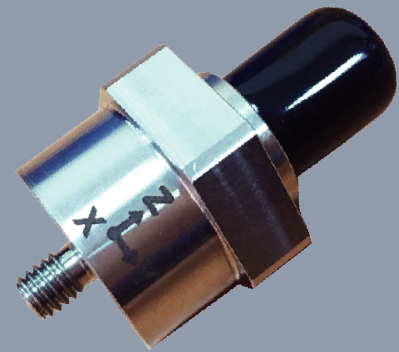


Vibration Gauges

 VB-310SCB

Industrial grade, screw lock-type, stainless steel,  triaxial vibration gauge (cable separated)

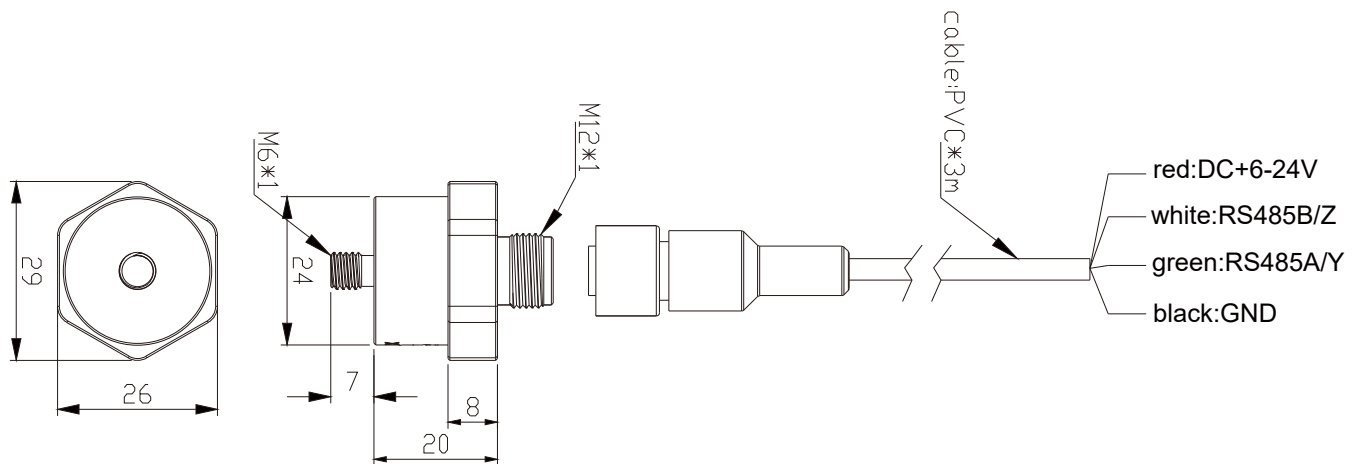


Features

1. Integrated design, with sensor and transducer in one mini package. The output signals are already industrial RS-485. The output contents include :
 - a. 3-axis Velocity, acceleration RMS
 - b. 3-axis Velocity, acceleration FFT
 - c. 3-axis Displacement , peak – peak
2. Open Signal Protocols (MODBUS RTU), can be directly connected to 3rd Party PLC and DCS, without the need of DAQ.
3. The stainless steel used is 316L grade, (the hardest metal grade) with high installation torque of 12N-m, better than industry standard 6-8 N-m.
4. The plug-in cable can be transported separately from the gauge mounted on the motor, which is extremely convenient. Cables are available in PVC, PU or shielded.

Dimension

29mm × 26mm × 40mm



Specification

Velocity Ranges	0-300 mm/sec
Frequency Response	10Hz to 1kHz ± 5% 1Hz to 1.8 KHz ± 3dB (adjustable filter, 10Hz-1000Hz filter for ISO2954)
Range	±8g
Transverse Sensitivity	2%(typical)
Case Material	316L Stainless Steel
Sensing Element	MEMS
Mounting Torque	12Nm
Weight	Body 50g, PVC cable 200g
Interface	RS485 (MODBUS RTU)
Supply Voltage	6-24 V DC
Operating Temperature Range	-40 ~85 °C
Maximum Shock	10000g
Sealing	IP67
Cable Material	PVC (Standard) · PU or Shielded (Option)
Fixed Method	Screw lock type(M6)
Cable Installation Type	Plug-in , M12 Connector